

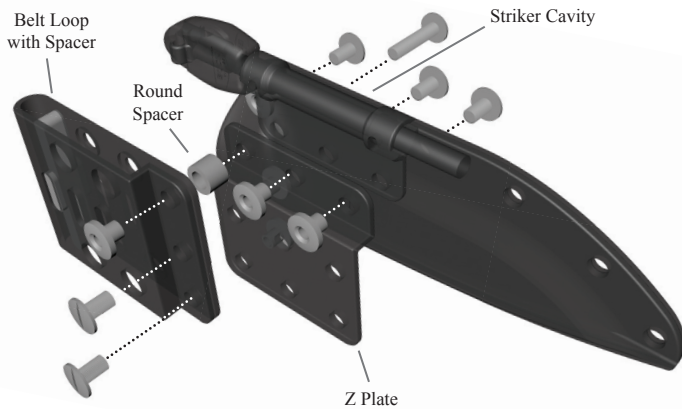


## 863 SELKIRK SHEATH ADJUSTMENT INSTRUCTIONS

### SHEATH FEATURES

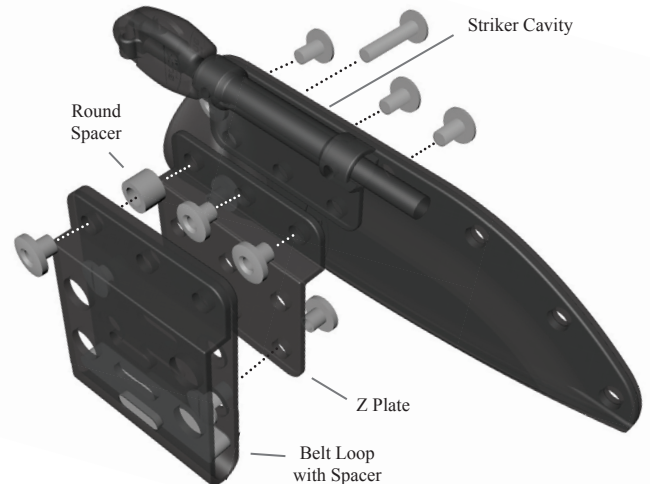
- Belt Loop is configurable for vertical or horizontal carry.
- Belt Loop contains a Belt Loop spacer to accommodate different width belts, up to 2" wide.
- Knife retention can be adjusted by tightening or loosening the sheath screw near the blade opening.
- Flathead screwdriver is needed to change configuration (not included).

### CONFIGURING SHEATH FOR VERTICAL CARRY



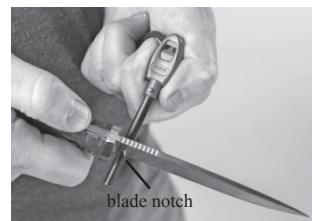
1. Remove screws and parts from the sheath with a flathead screwdriver.
2. Once all of the parts are removed, adjust Belt Loop spacer to the desired belt size.
3. Attach Belt Loop to the Z Plate with two nuts and bolts.
4. Place optional Striker Cavity on sheath prior to positioning the Z Plate down.
5. Take the assembled Z Plate and Belt Loop and lay on top of the Striker Cavity, positioning the 3 Striker Cavity holes to the 3 Z Plate holes. Insert round spacer and use longer bolt to connect the Belt Loop to the Striker Cavity.
6. Assemble using nuts and bolts.

### CONFIGURING SHEATH FOR HORIZONTAL CARRY



1. Remove screws and parts from the sheath with a flathead screwdriver.
2. Once all of the parts are removed, adjust Belt Loop spacer to the desired belt size.
3. Place Belt Loop on top of Z Plate. Open the Belt Loop and insert two bolts into alternating corners and attach with a nut to the Z Plate.
4. Place optional Striker Cavity on sheath prior to laying the Z Plate down.
5. Take the assembled Z Plate / Belt Loop and lay on top of the Striker Cavity, positioning the 3 Striker Cavity holes to the 3 Z Plate holes. Insert round spacer and use longer bolt to connect the Belt Loop to the Striker Cavity.
6. Assemble using nuts and bolts.

### ADDITIONAL FEATURES



- Whistle: to remove whistle feature, rotate whistle 1/4" turn and pull.
- Ferrocerium Striker is part of the whistle feature. To spark, hold knife in position and pull striker along blade notch located near the blade guard.
- Handle pommel can be used as a hammer for light duty tasks.